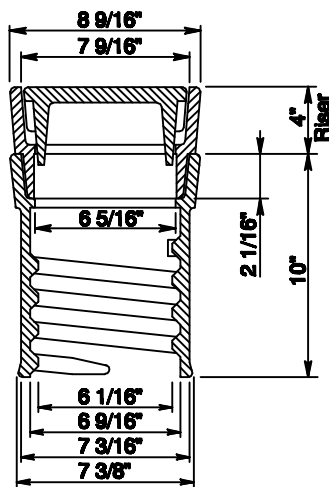
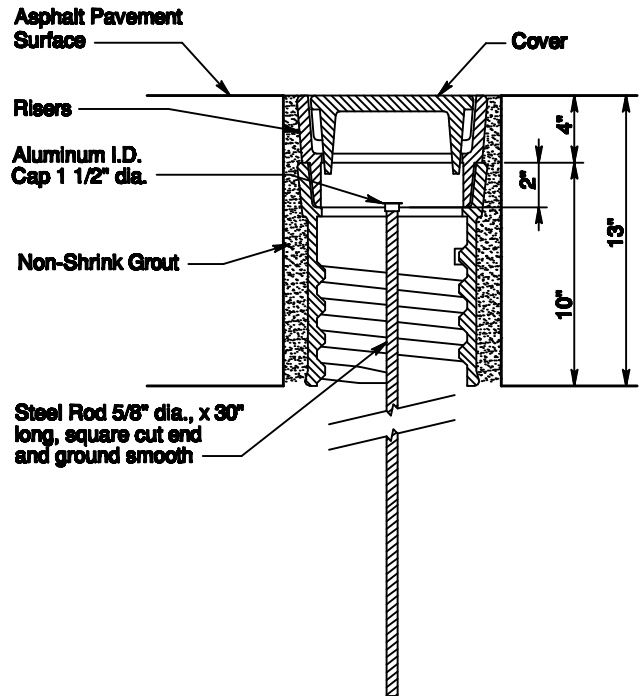


TOP VIEW



SECTION A-A



SIDE VIEW

NOTE:
ACCEPTABLE MANUFACTURERS AND PRODUCTS ARE:

1. EAST JORDAN IRON WORKS, INC.
P.O. BOX 439-301
EAST JORDAN, MI. 49727
8550 10T WITH ADJUSTABLE RISERS AND LID WITH SURVEY ON TOP.
2. ALTERNATE PRODUCTS MAY BE SUBMITTED FOR APPROVAL

INSTALLATION:

1. CORE OPENING IN PAVEMENT
2. REMOVE DEBRIS AND PREPARE PAVEMENT FOR GROUT PER MANUFACTURERS INSTRUCTIONS.
3. COAT PAVEMENT OPENING AND EXTERIOR OF CASTING WITH GROUT.
4. INSTALL CASTING AND FINISH FLUSH WITH EXISTING PAVEMENT.
5. ANNULAR SPACE BETWEEN CASTING AND PAVEMENT TO BE FILLED WITH NON-SHRINK GROUT PER O.D.O.T. 705.20.
6. RISER SHALL NOT BE USED WITH CONCRETE PAVEMENT.

NOTE 1: THIS DETAIL IS VALID ONLY WHEN USED AS PRESENTED HERE, WITHOUT CHANGES, AND IN CONJUNCTION WITH ANY GENERAL NOTES AND/OR OTHER DETAILS WHICH MAY APPLY. ANY CHANGES TO THIS DETAIL SHALL FIRST BE SUBMITTED TO AND APPROVED BY THE CITY ENGINEER.

NOTE 2: BEFORE ANY EXCAVATING, CALL THE FOLLOWING NUMBERS AT LEAST 48 HOURS IN ADVANCE: O.U.P.S. @ (800) 362-2764 AND O.A.G.P.U.P.S. @ (800) 925-0888.

City of Wooster : Division of Engineering

538 N. Market Street Wooster, Ohio 44691
Phone: (330) 263-5234 Fax: (330) 263-5247
Joel Montgomery, P.E.
City Engineer

NO.	DATE	REVISION			
1	9/30/06	ISSUED			
2	10/28/10	4" RISER			

MONUMENT BOX ASSEMBLY

CAD FILE:
ENGINEERING STANDARDS\IGN-7.DWG

SHEET:

DRWN BY: SLG	APPRD BY: AJM	ISSUE DATE: 9/30/06	SCALE: NONE
-----------------	------------------	------------------------	----------------

PV-13.0